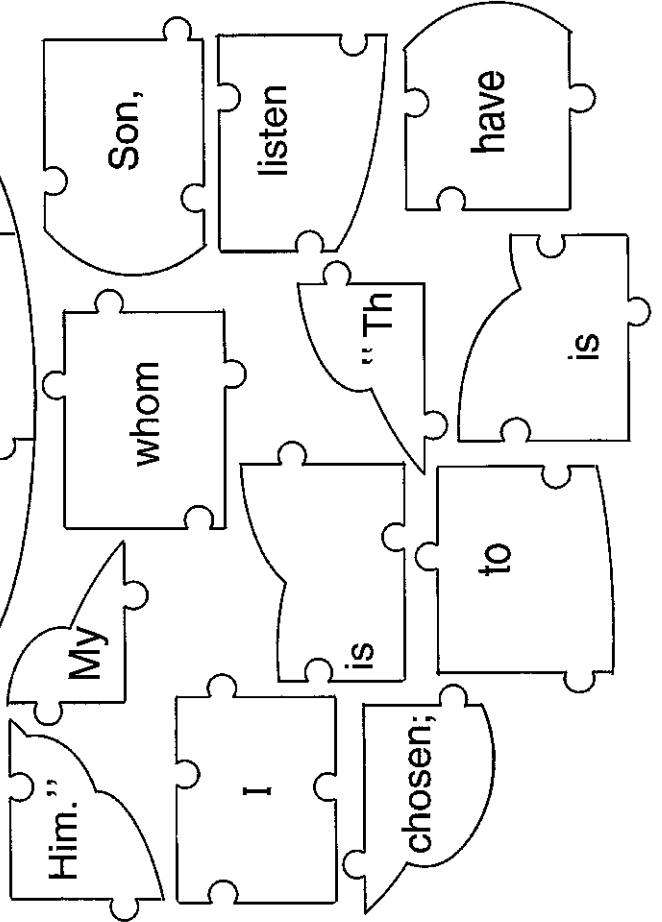
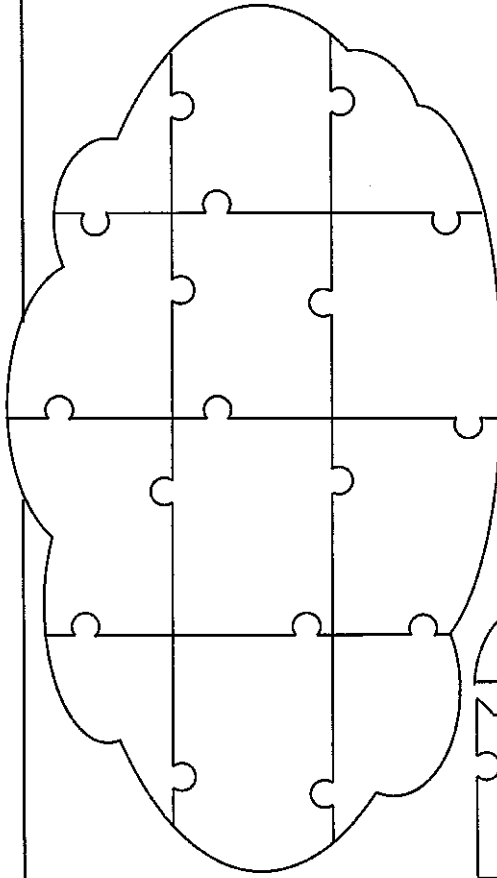




While He was speaking, a cloud appeared and covered them ... A voice came from the cloud.

Fit the pieces in the puzzle to find out what the voice said.



Children's Worship Bulletin™

Ages 7+

March 16, 2025 • Luke 9:28-36

Jesus Is Transfigured

Jesus took Peter, James and John with Him and went up onto a mountain to pray.

Find the route to the top of the mountain.

END

